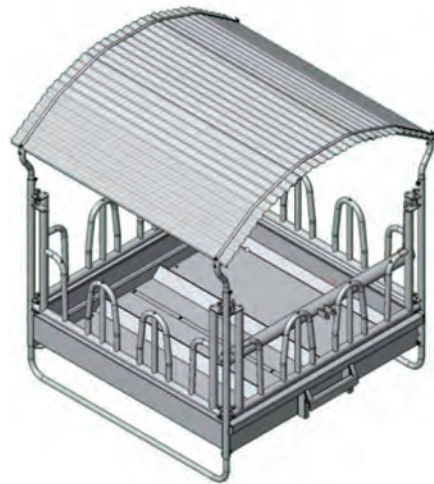


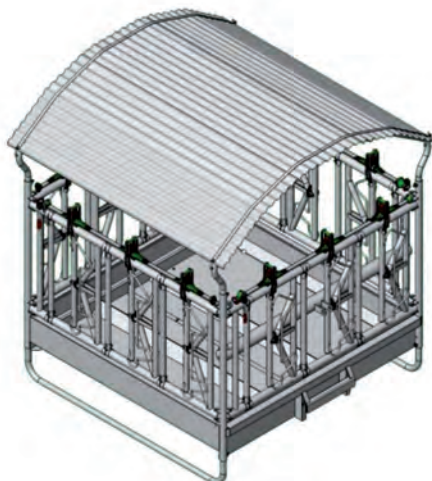
# Viereckkraufe



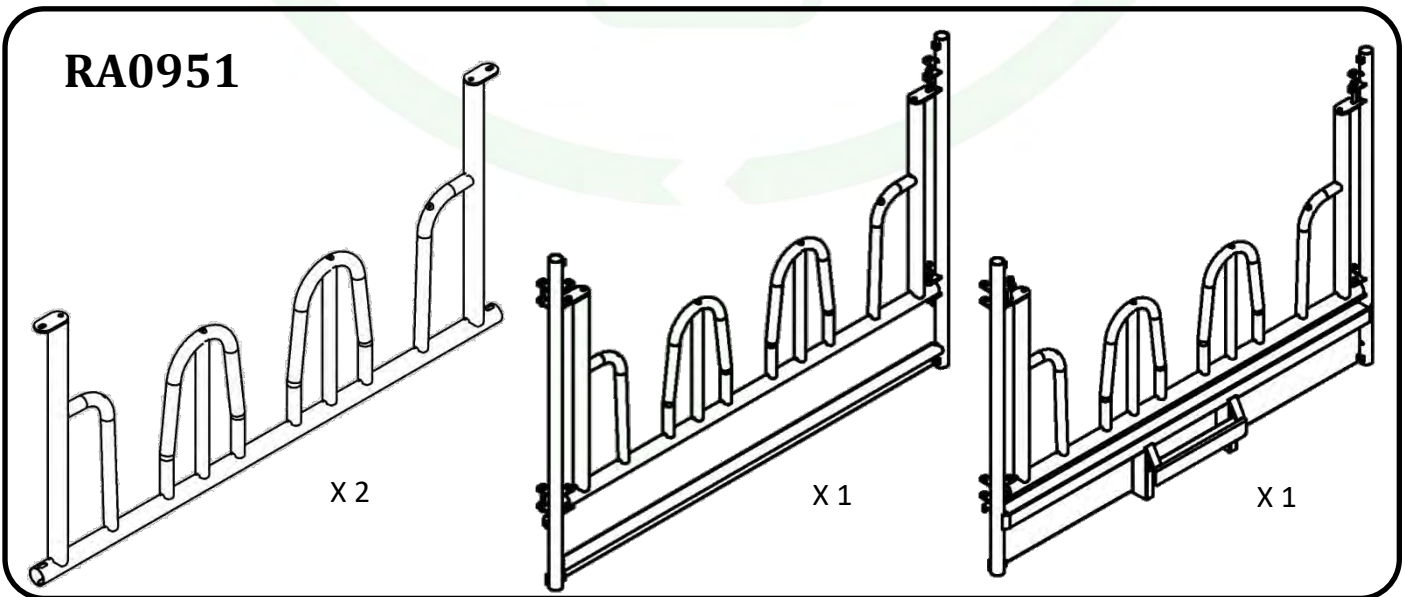
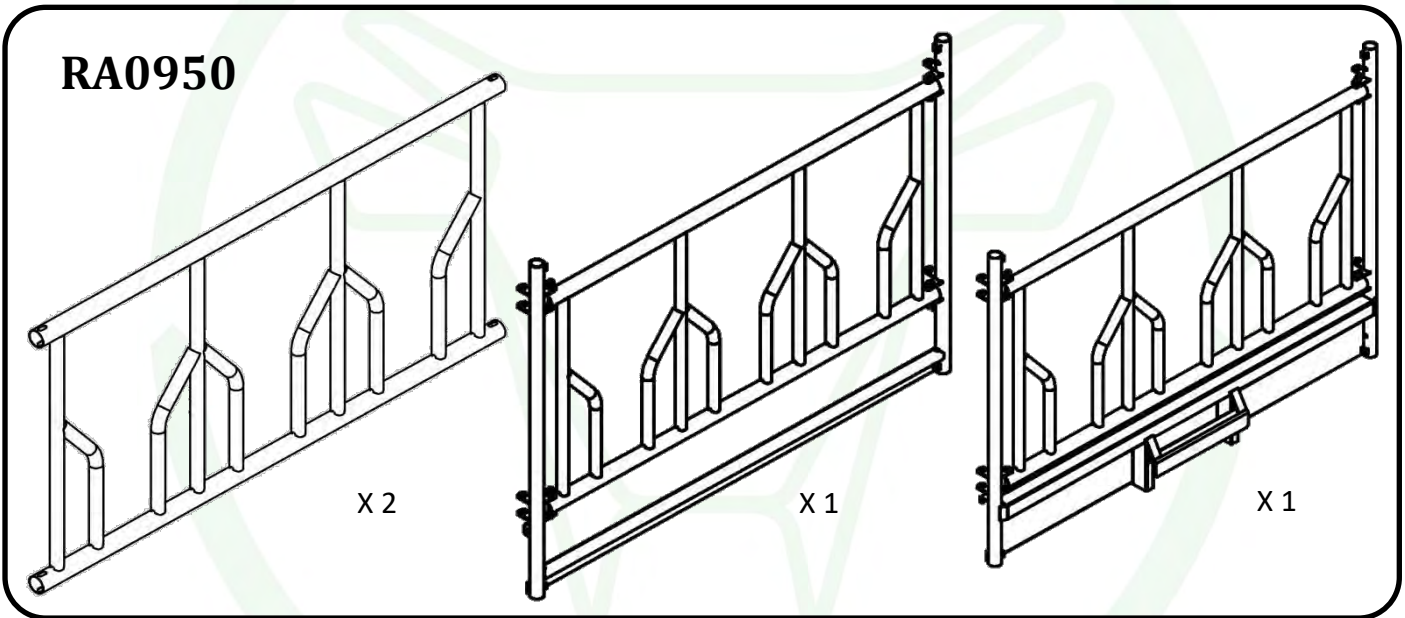
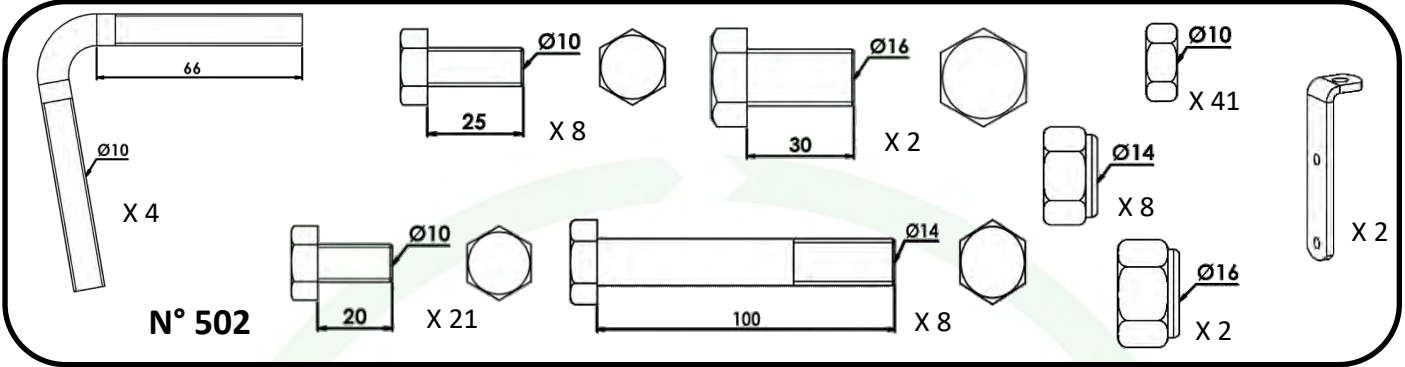
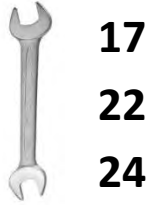
**Code 0908 / RA0950**



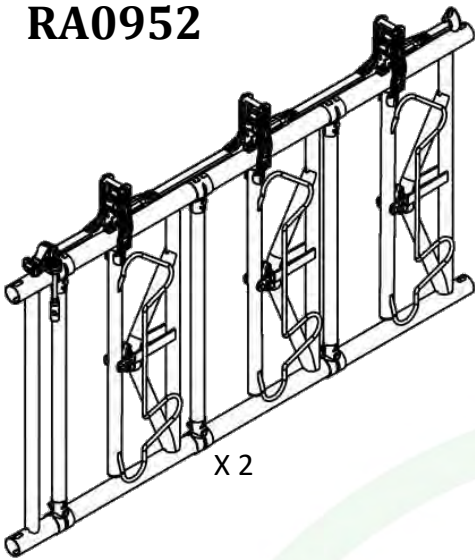
**Code 0909 / RA0951**



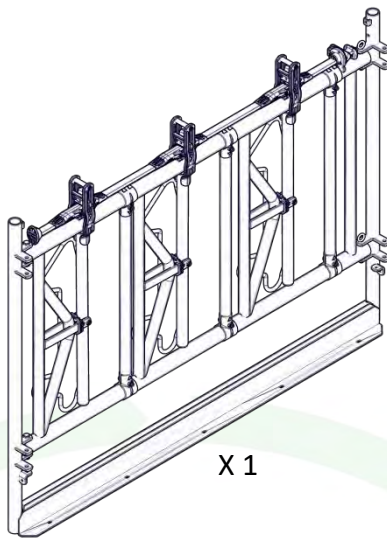
**Code 0907 / RA0952**



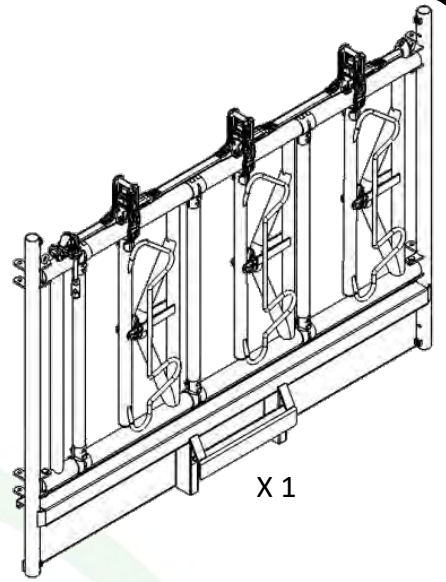
**RA0952**



X 2

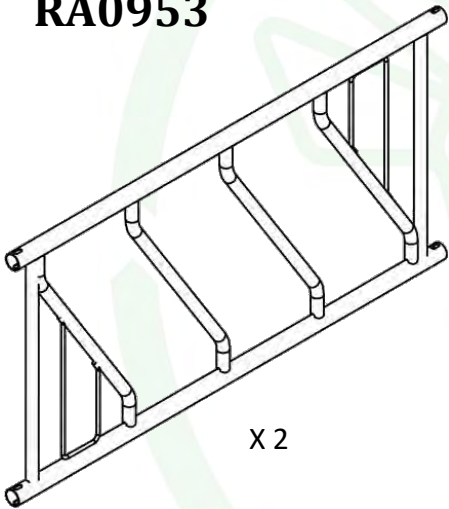


X 1

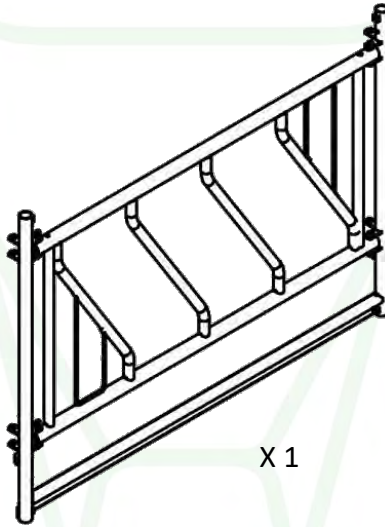


X 1

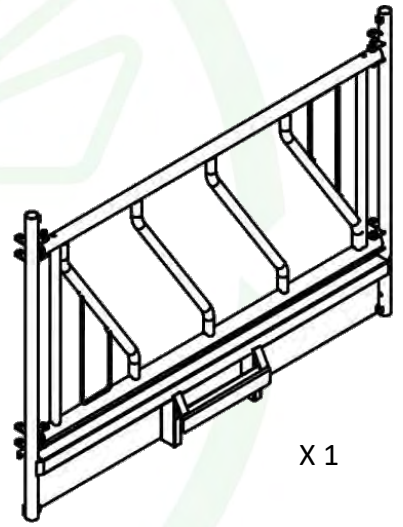
**RA0953**



X 2



X 1



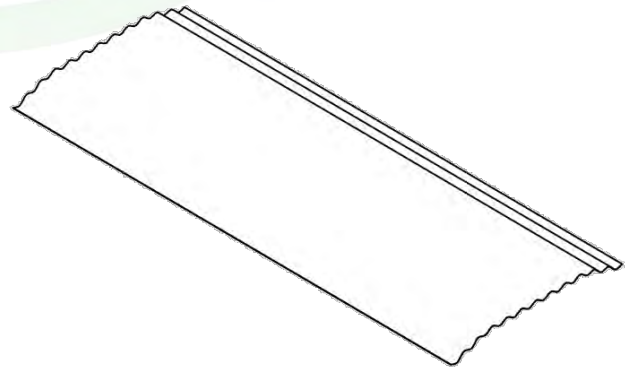
X 1

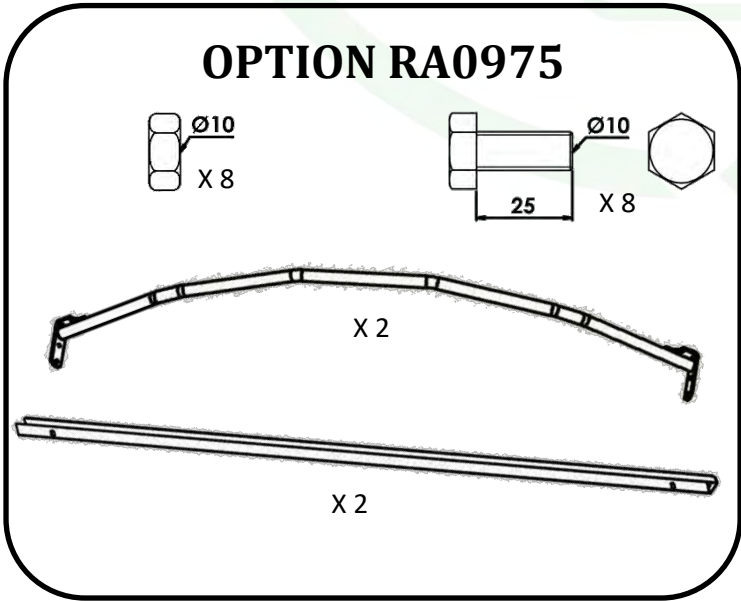
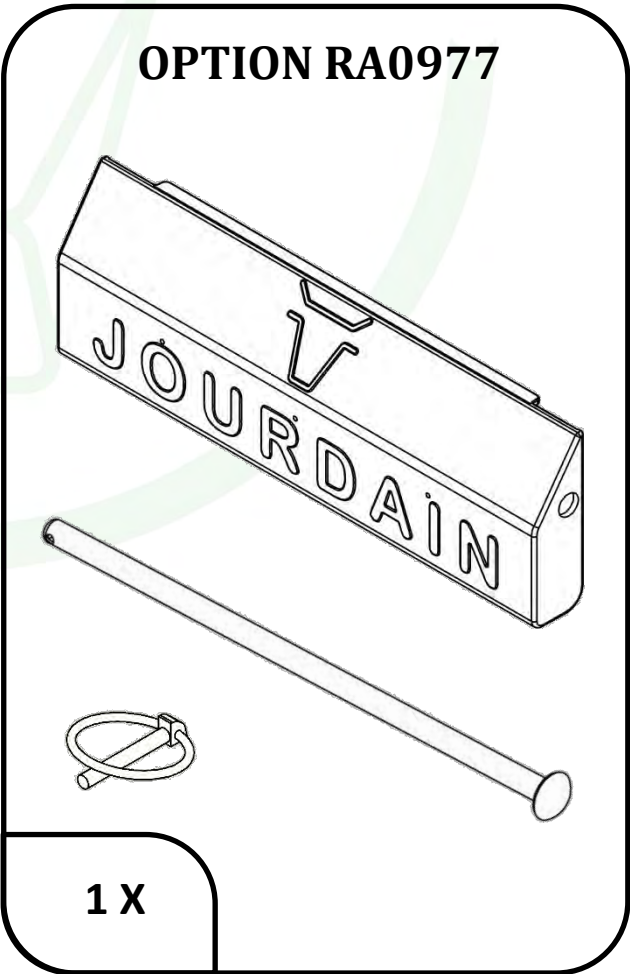
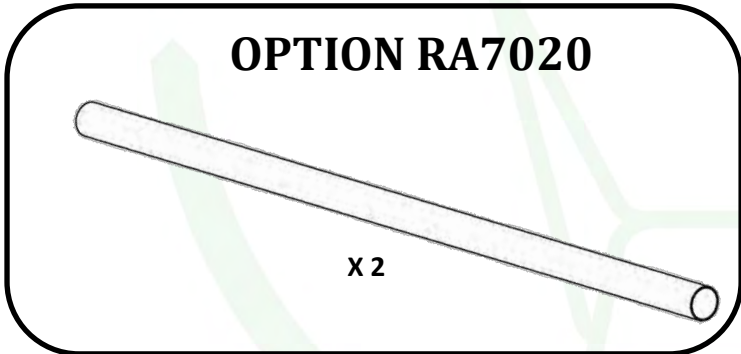
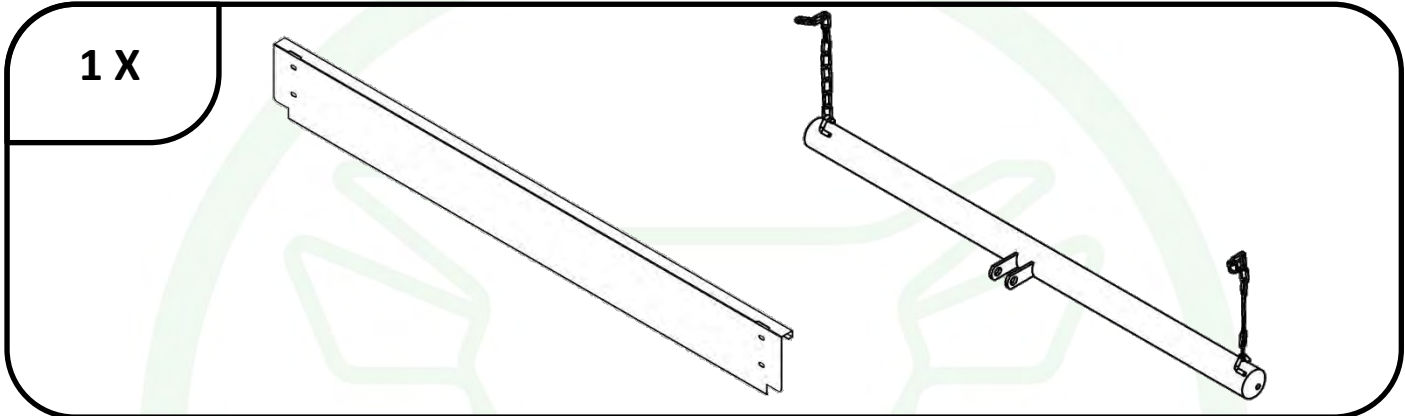
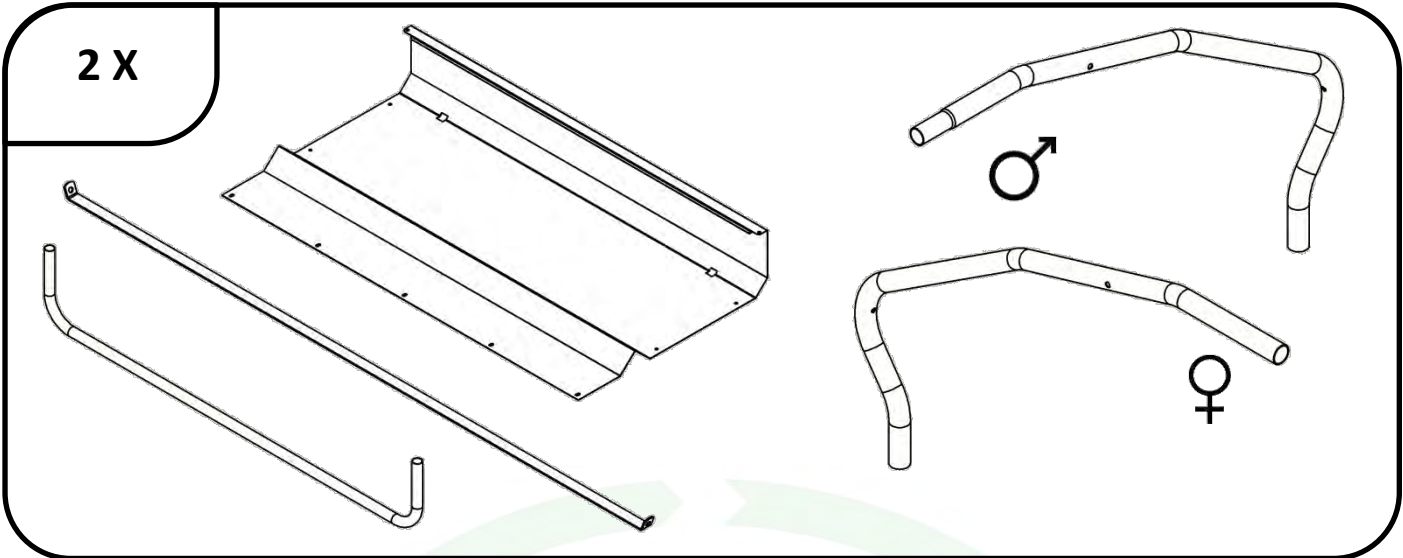
**OPTION RA0986**

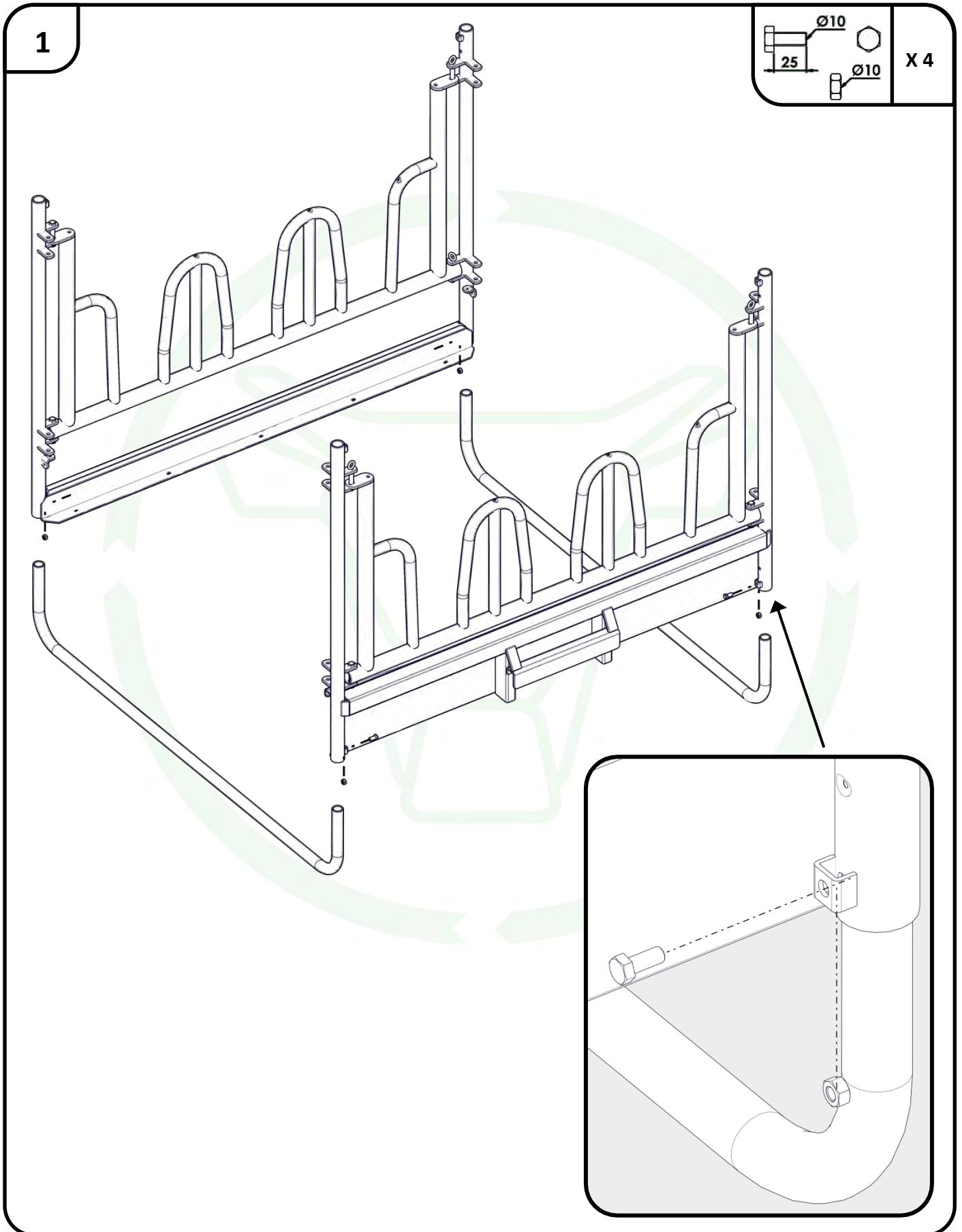
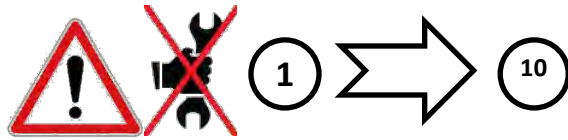


X 8

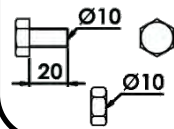
**3 X**

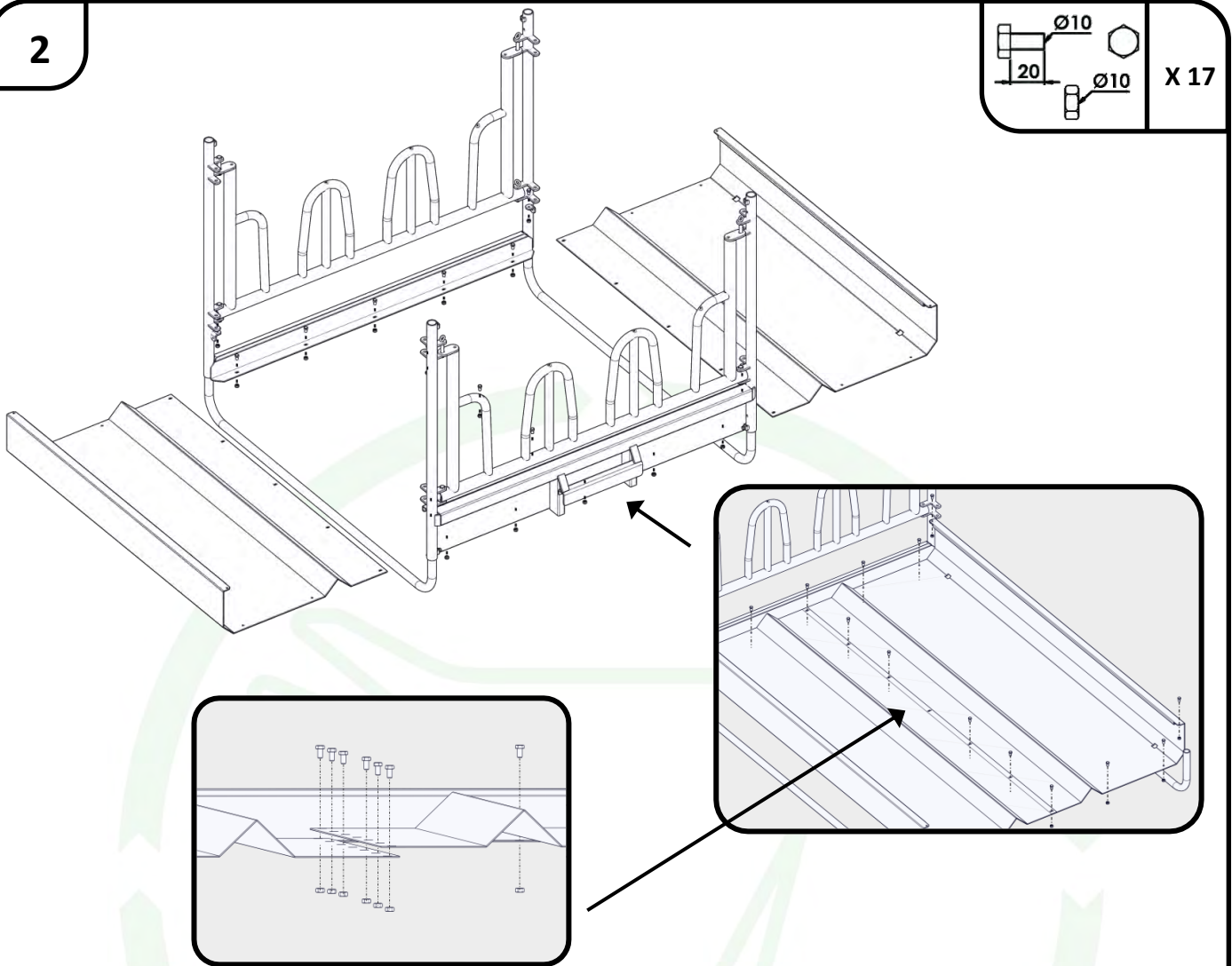




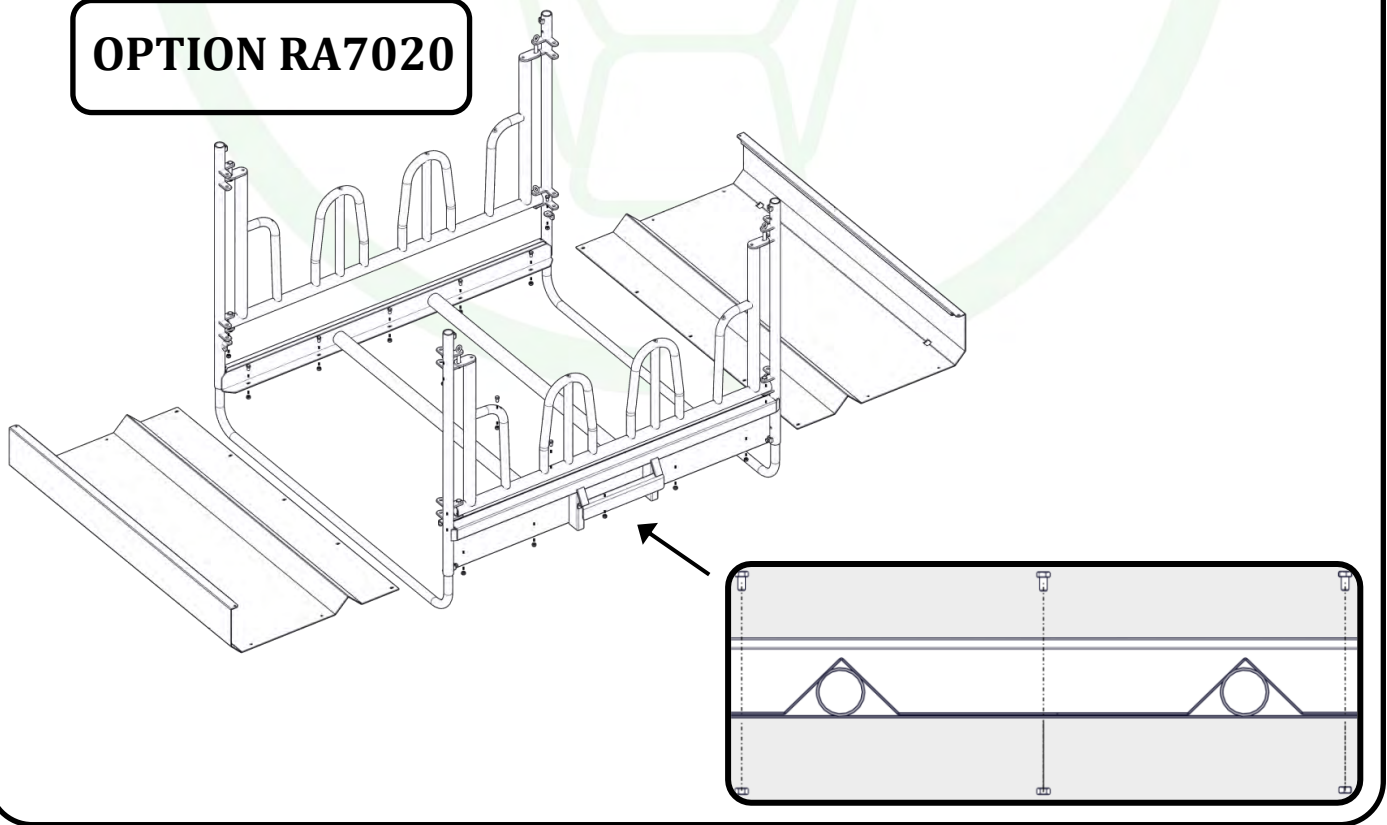


2

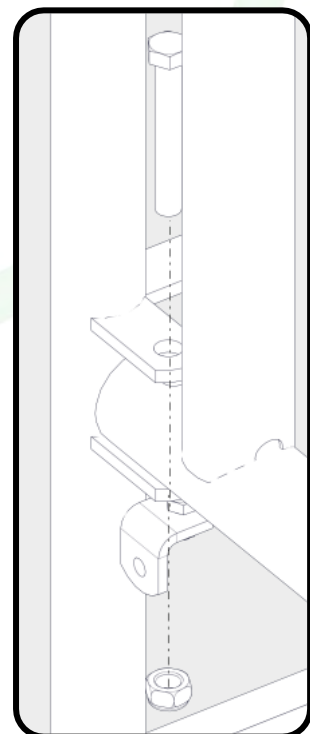
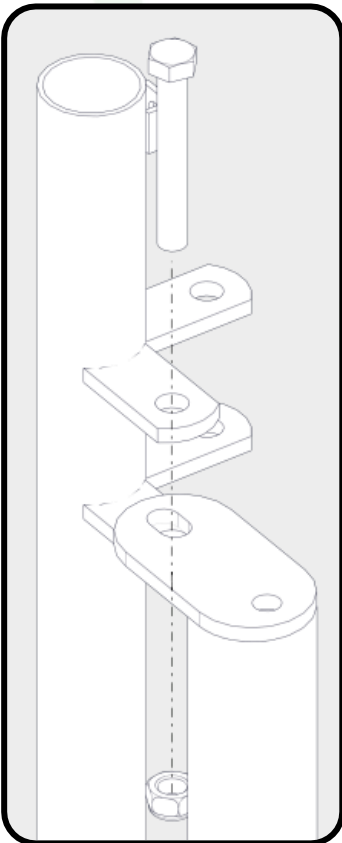
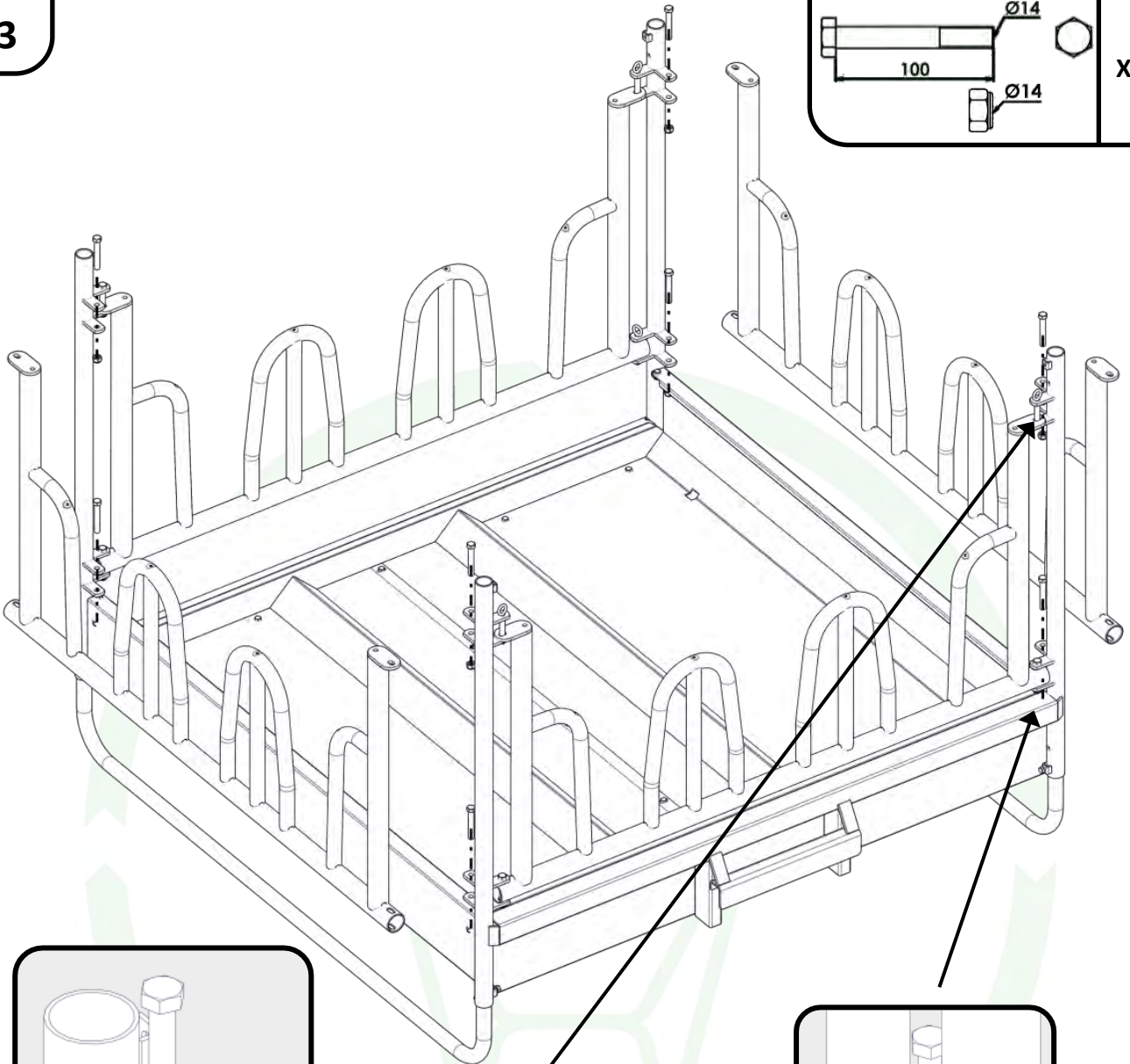
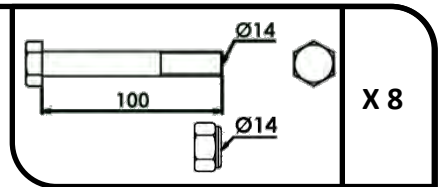
 Ø10  
20  
Ø10 X 17



**OPTION RA7020**

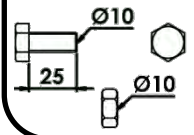


3

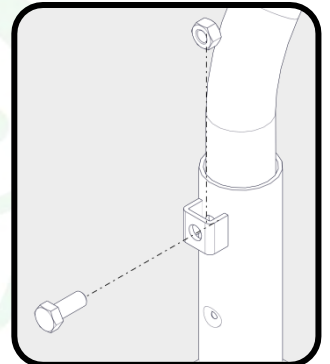
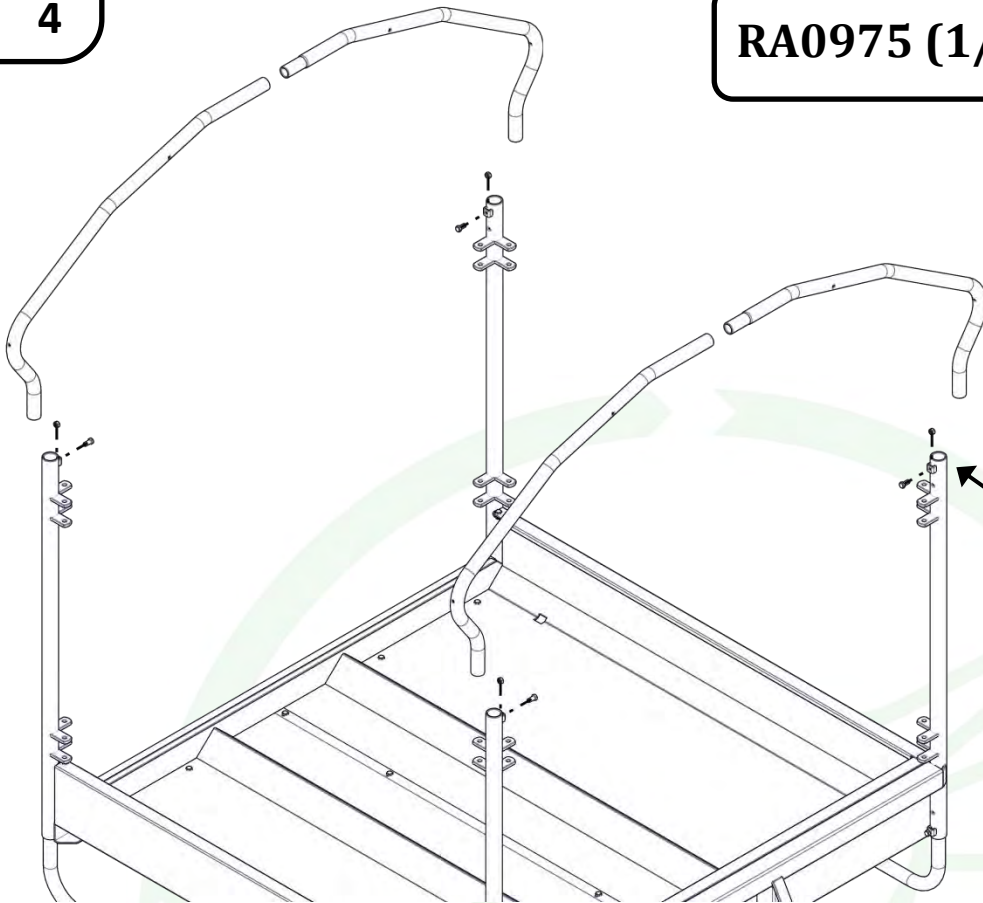


4

RA0975 (1/3)

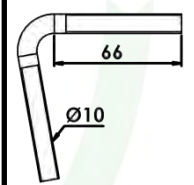


X 4

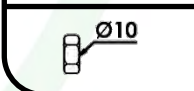


5

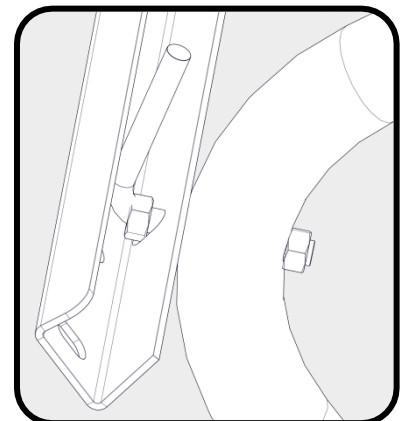
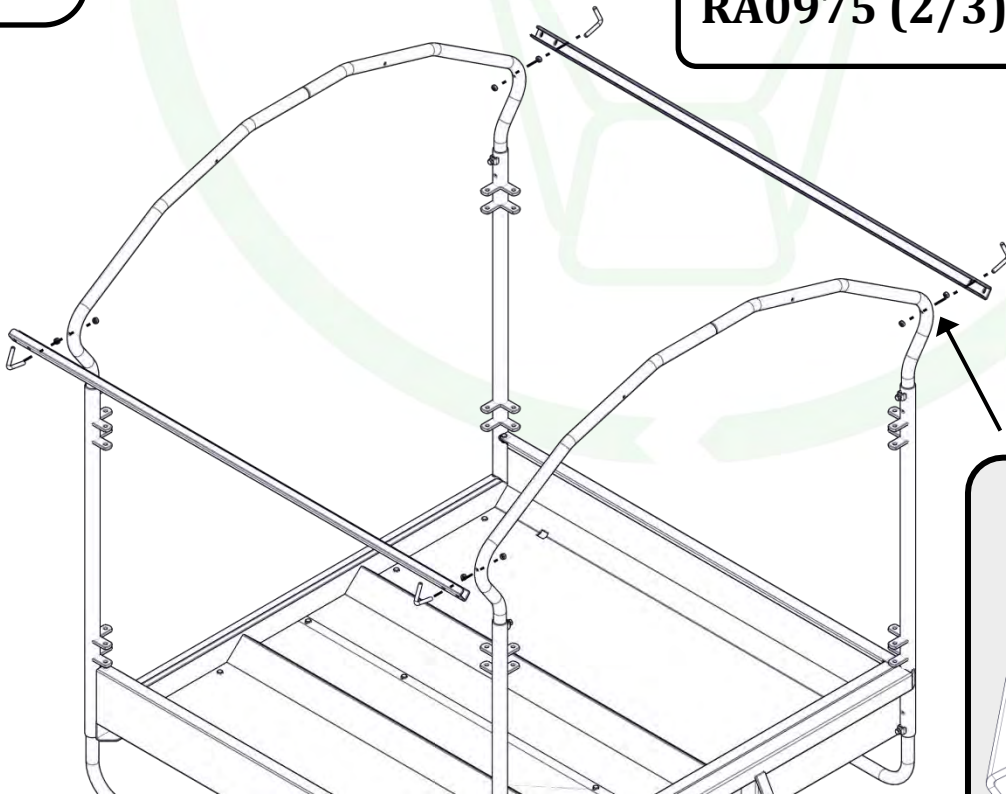
RA0975 (2/3)



X 4



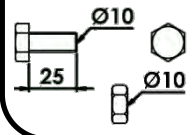
X 8

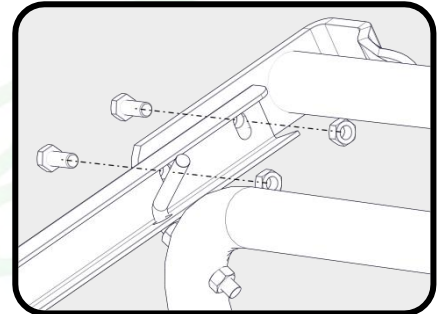
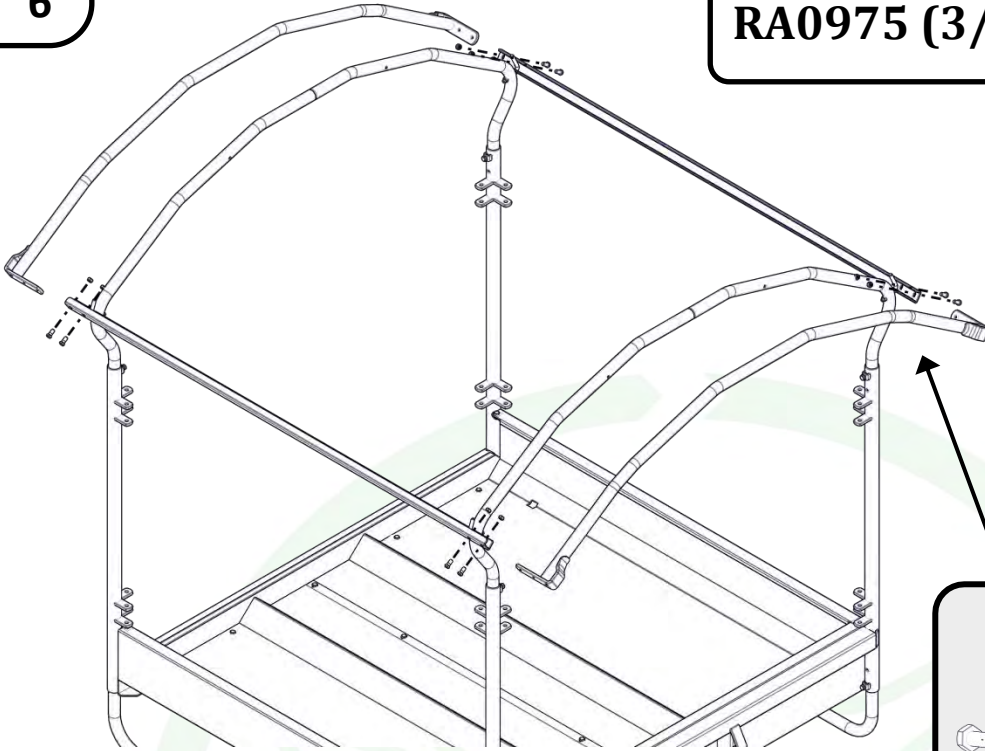




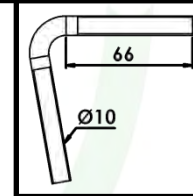
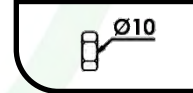
6

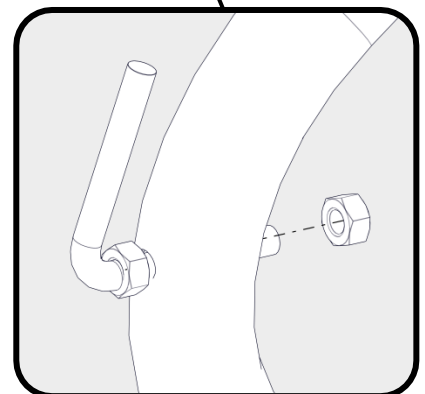
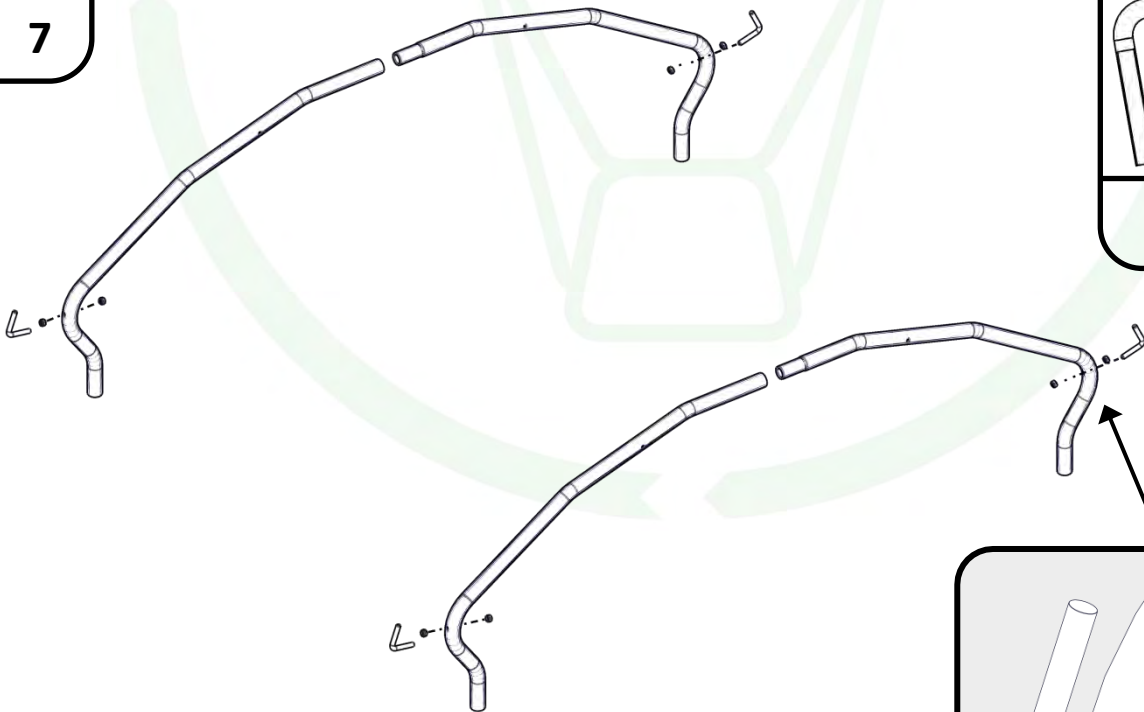
RA0975 (3/3)

	X 8
---	-----

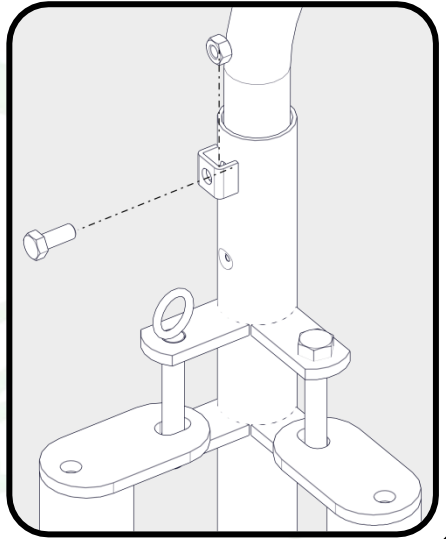
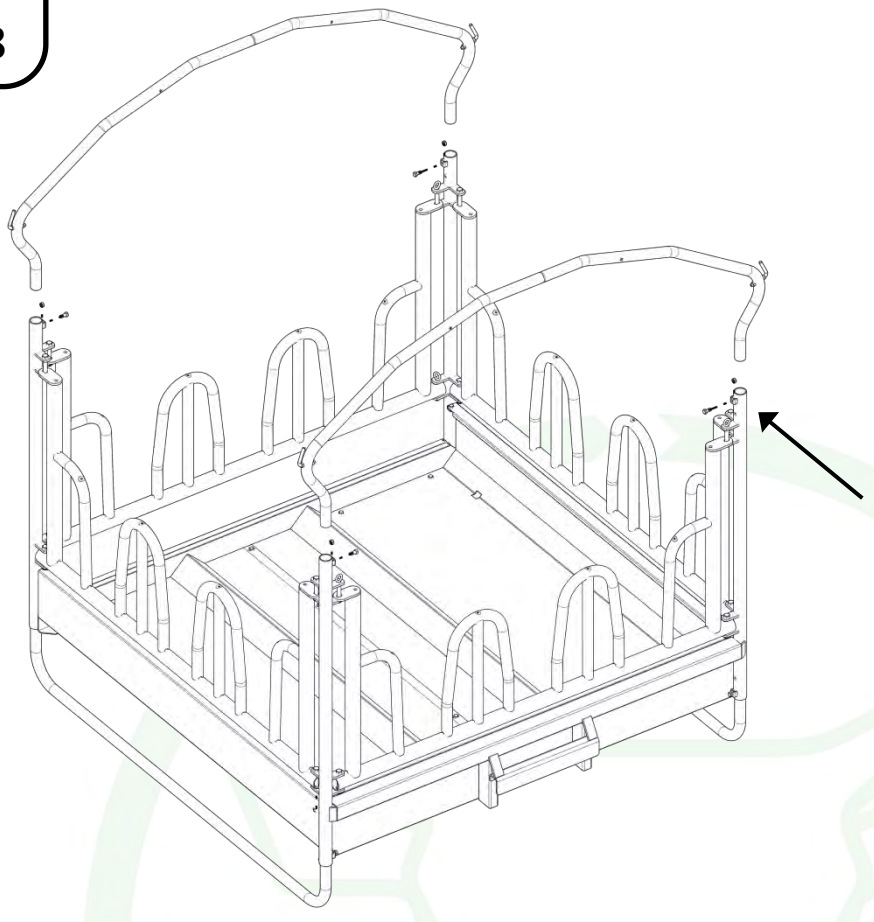
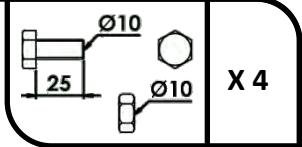


7

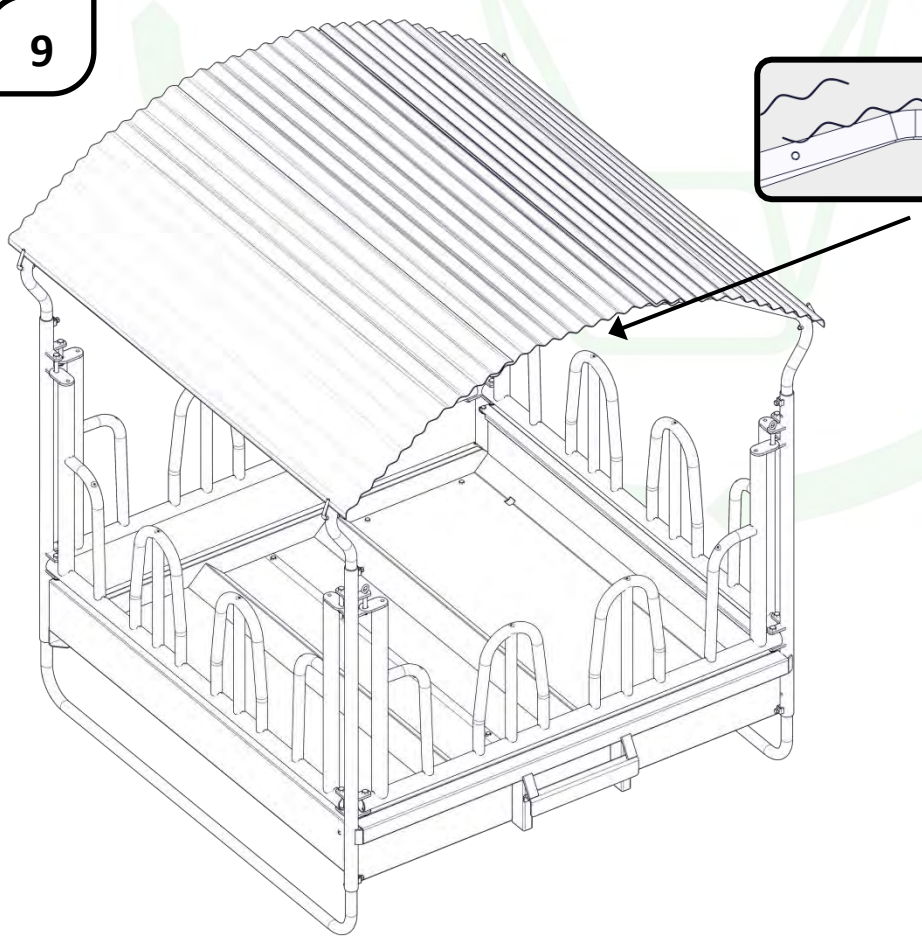
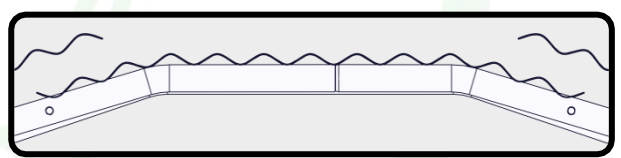
	X 4
	X 8



8



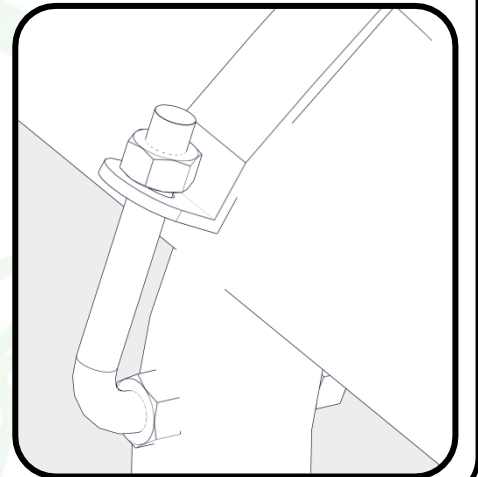
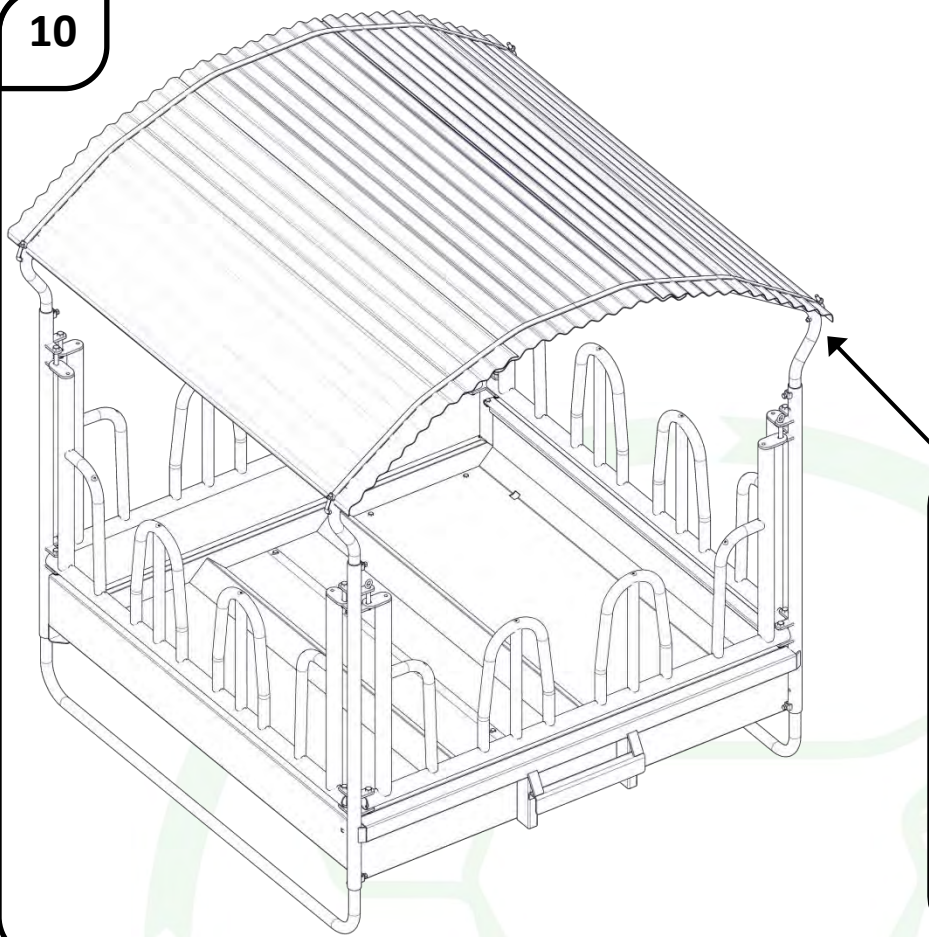
9



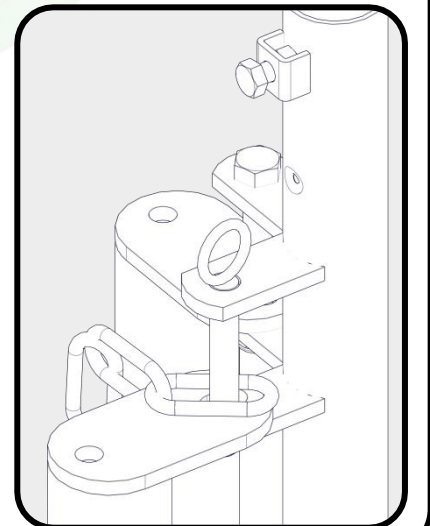
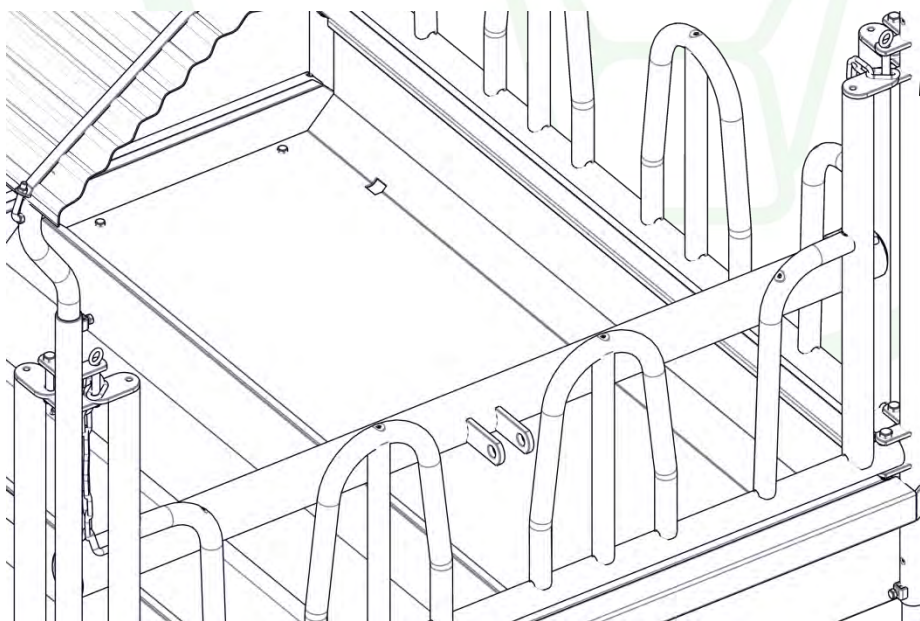
10

Ø10

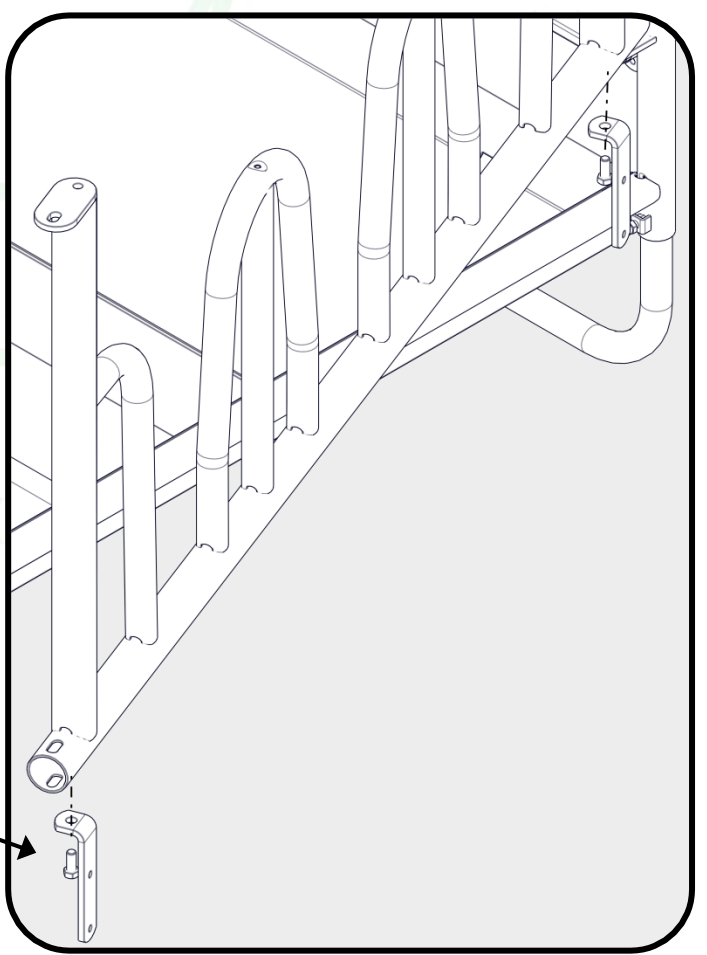
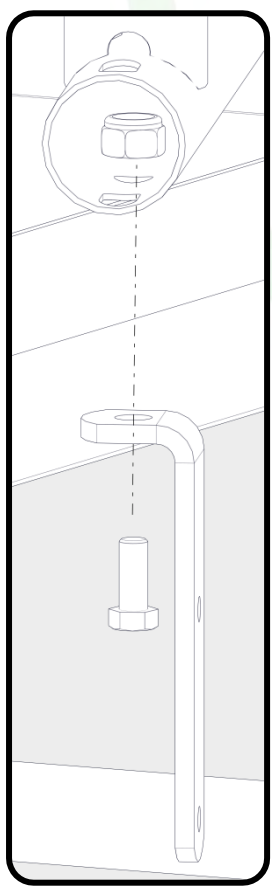
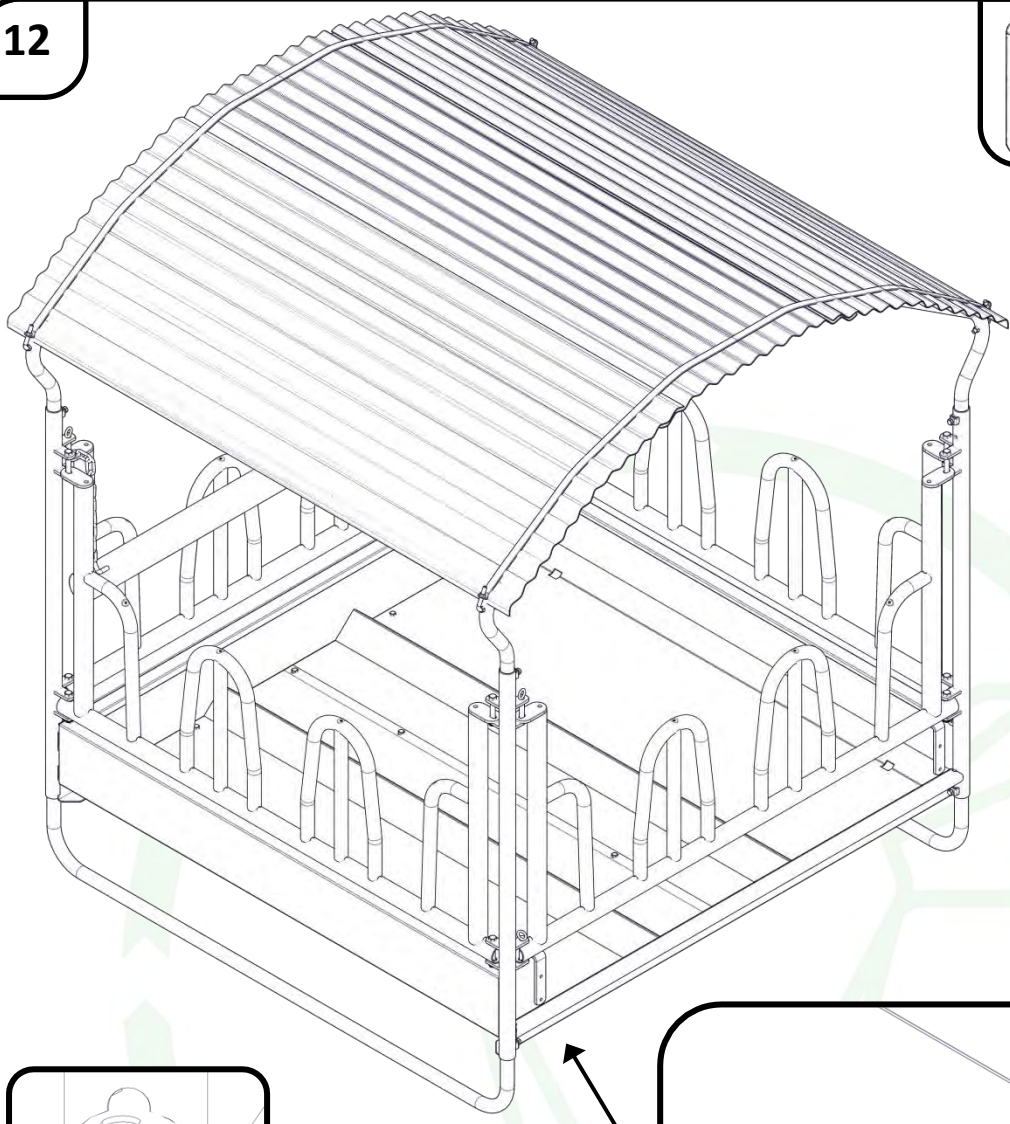
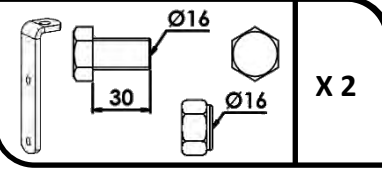
X 4



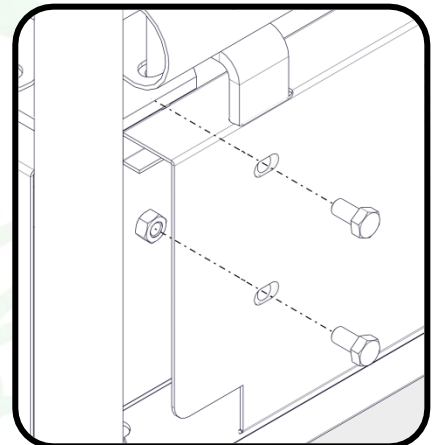
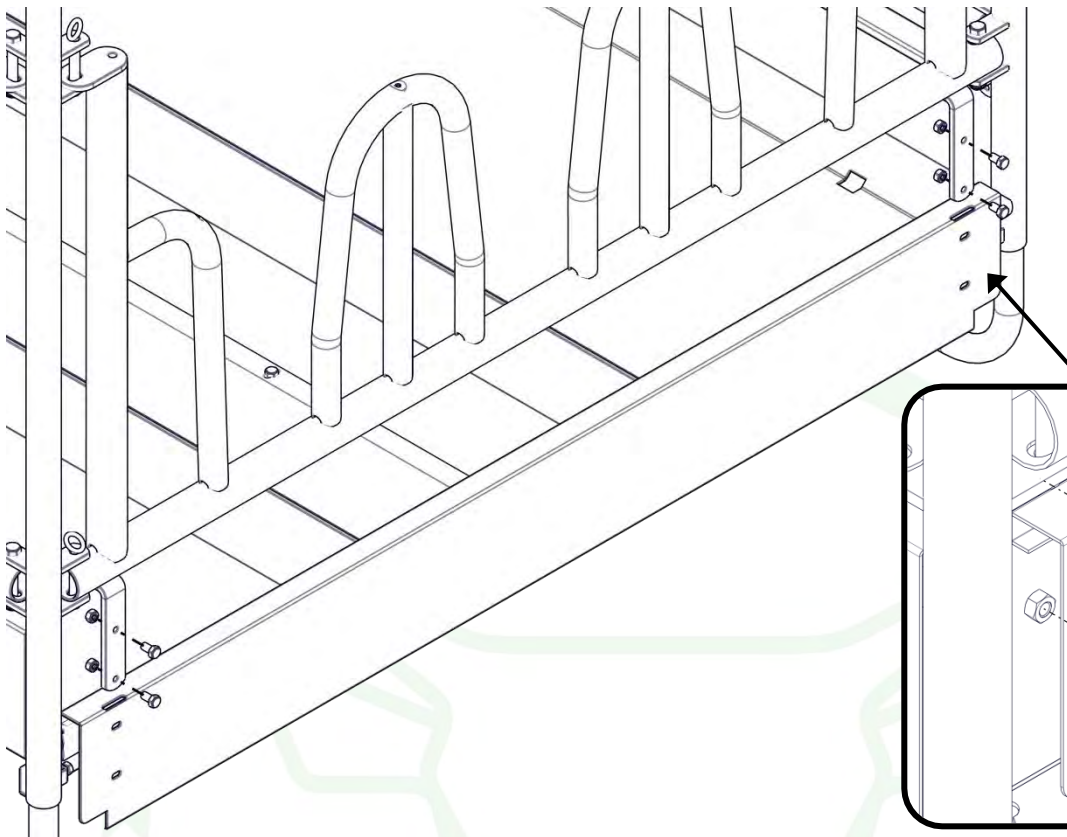
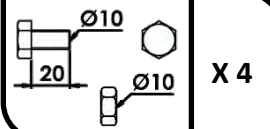
11



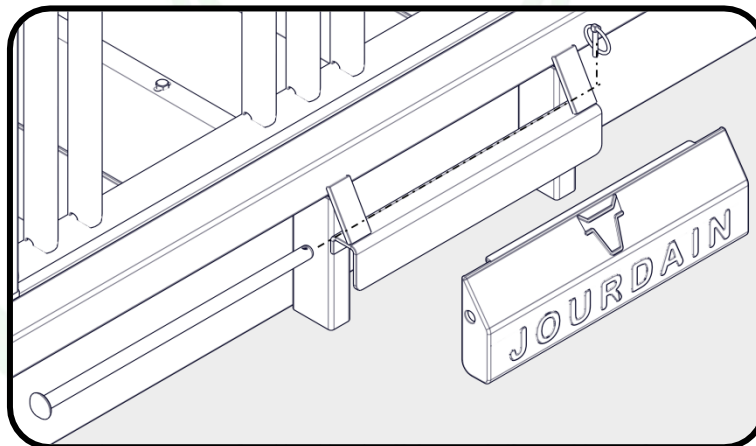
12



13



14



RA0977

